

### DESCRIPTION

This UPS360e3 in the Powermite3<sup>®</sup> package is a high efficiency Schottky rectifier that is also RoHS compliant offering high current/power capabilities previously found only in much larger packages. They are ideal for SMD applications that operate at high frequencies. In addition to its size advantages, the Powermite3<sup>®</sup> package includes a full metallic bottom that eliminates the possibility of solder flux entrapment during assembly and a unique locking tab act as an efficient heat path to the heat-sink mounting. Its innovative design makes this device ideal for use with automatic insertion equipment.

### KEY FEATURES


- Very low thermal resistance package
- RoHS Compliant with e3 suffix part number
- Guard-ring-die construction for transient protection
- Efficient heat path with Integral locking bottom metal tab
- Low forward voltage
- Full metallic bottom eliminates flux entrapment
- Compatible with automatic insertion
- Low profile-maximum height of 1mm

**IMPORTANT:** For the most current data, consult MICROSEMI's website: <http://www.microsemi.com>

### ABSOLUTE MAXIMUM RATINGS AT 25° C (UNLESS OTHERWISE SPECIFIED)

Rating	Symbol	Value	Unit
Peak Repetitive Reverse Voltage Working Peak Reverse Voltage DC Blocking Voltage	$V_{RRM}$ $V_{RWM}$ $V_R$	60	V
RMS Reverse Voltage	$V_{R(RMS)}$	42	V
Average Rectified Output Current	$I_o$	3	A
Non-Repetitive Peak Forward Surge Current 8.3ms Single half sine wave Superimposed on Rated Load	$I_{FSM}$	100 @ 25°C 50 @ 100°C	A
Storage Temperature	$T_{STG}$	-55 to +150	°C
Junction Temperature	$T_J$	-55 to +125	°C

### APPLICATIONS/BENEFITS

- Switching and Regulating Power Supplies.
- Silicon Schottky (hot carrier) rectifier for minimal reverse voltage recovery
- Elimination of reverse-recovery oscillations to reduce need for EMI filtering
- Charge Pump Circuits
- Reduces reverse recovery loss with low  $I_{RM}$
- Small foot print   
190 X 270 mils (1:1 Actual size)  
See mounting pad details on pg 3

### MECHANICAL & PACKAGING

- CASE: Void-free transfer molded thermosetting epoxy compound meeting UL94V-0
- FINISH: Annealed matte-Tin plating over copper and readily solderable per MIL-STD-750 method 2026 (consult factory for Tin-Lead plating)
- POLARITY: See figure (left)
- MARKING: S360•
- WEIGHT: 0.072 gram (approx.)
- Package dimension on last page
- Tape & Reel option: 16 mm tape per Standard EIA-481-B, 5000 on 13" reel

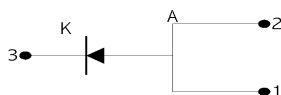
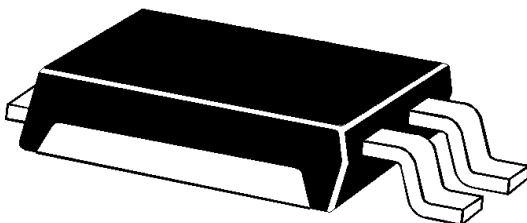
### THERMAL CHARACTERISTICS

#### Thermal Resistance

Junction-to-case (bottom)	$R_{\theta JC}$	3.2	°C/ Watt
Junction to ambient (1)	$R_{\theta JA}$	65	°C/ Watt

(1) When mounted on FR-4 PC board using 2 oz copper with recommended minimum foot print

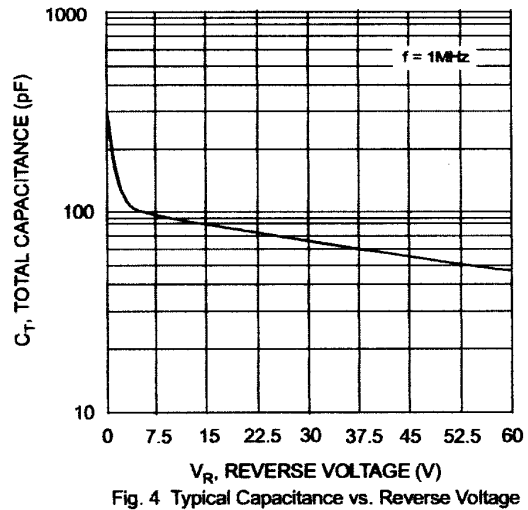
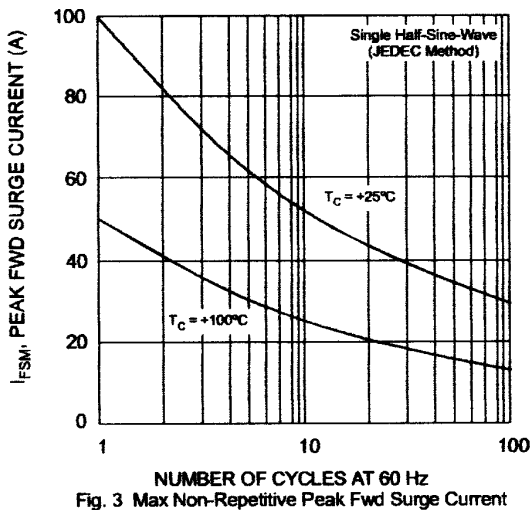
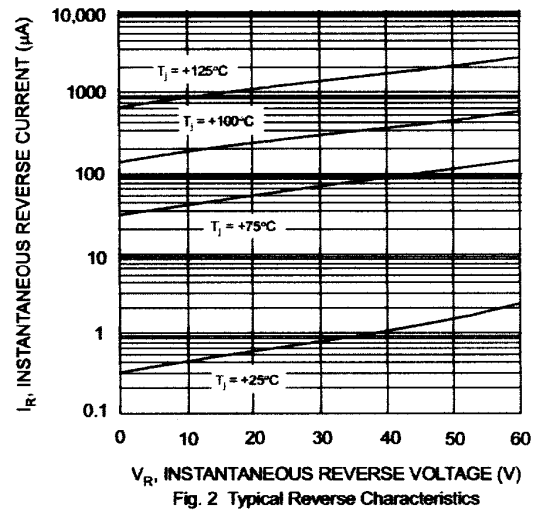
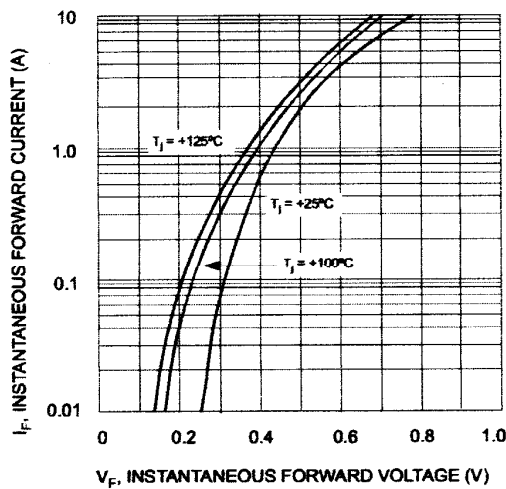
Powermite 3™

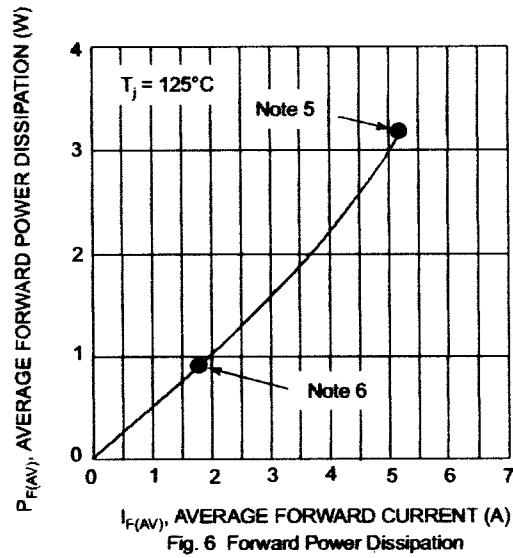
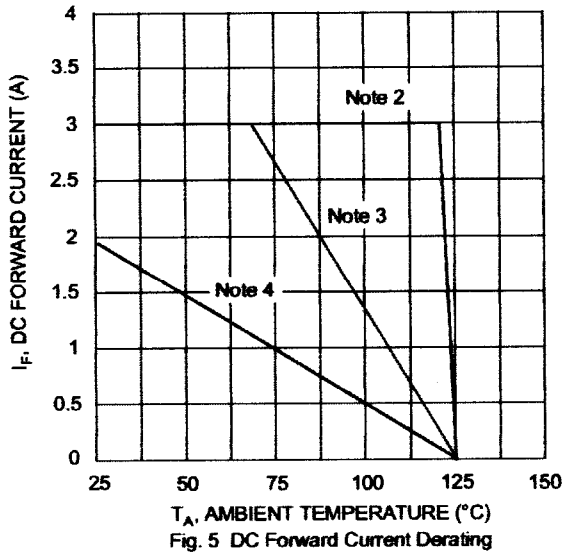


**ELECTRICAL PARAMETERS @ 25°C (unless otherwise specified)**

Parameter	Symbol	Conditions	Min	Typ.	Max	Units
Forward Voltage (Note 1)	$V_F$	$I_F = 3.5 \text{ A}, T_J = 25^\circ\text{C}$ $I_F = 3.5 \text{ A}, T_J = 125^\circ\text{C}$ $I_F = 7 \text{ A}, T_J = 25^\circ\text{C}$ $I_F = 7 \text{ A}, T_J = 25^\circ\text{C}$		0.59 0.53 0.72 0.63	0.63 0.57 0.76 0.67	V
Reverse Break Down Voltage (Note 1)	$V_{BR}$	$I_R = 0.2 \text{ mA}$	60			V
Reverse Current (Note 1)	$I_R$	$V_R = 60\text{V}, T_J = 25^\circ\text{C}$ $V_R = 60\text{V}, T_J = 100^\circ\text{C}$ $V_R = 60\text{V}, T_J = 125^\circ\text{C}$		2 0.6 2.5	200 20 150	$\mu\text{A}$ mA mA
Capacitance	$C_T$	$V_R = 4 \text{ V}; f = 1 \text{ MHz}$		130		pF

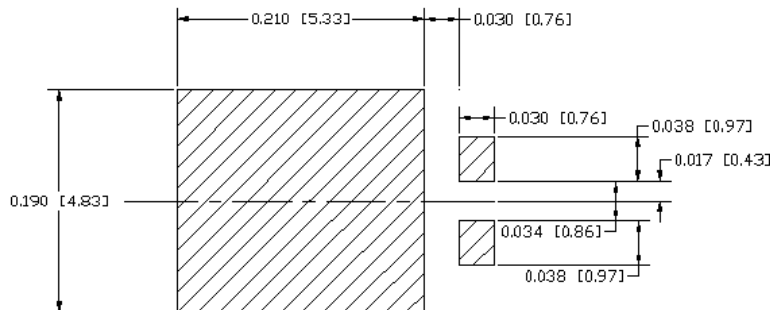
Note: 1 Short duration test pulse used to minimize self-heating effect.

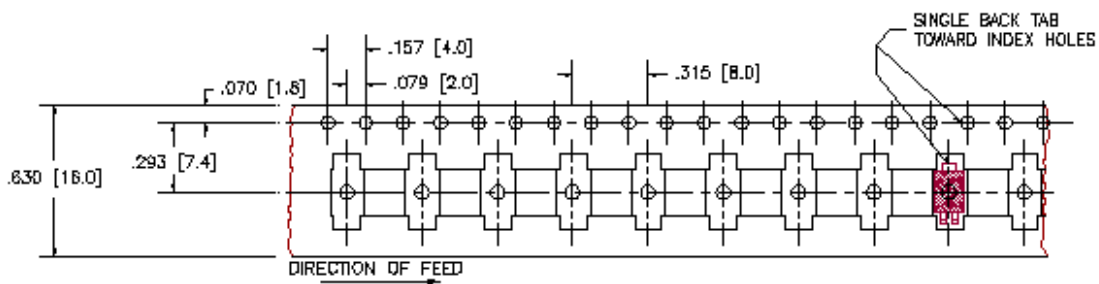
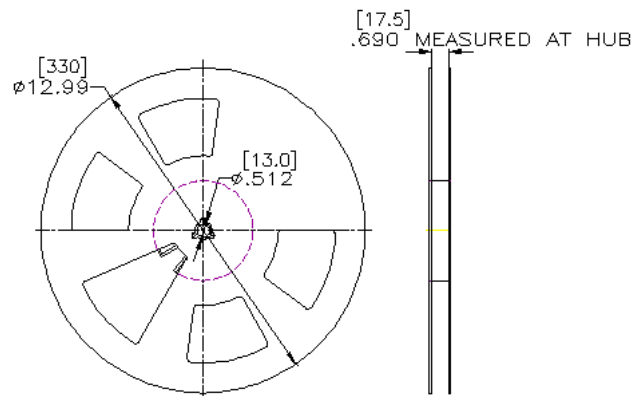


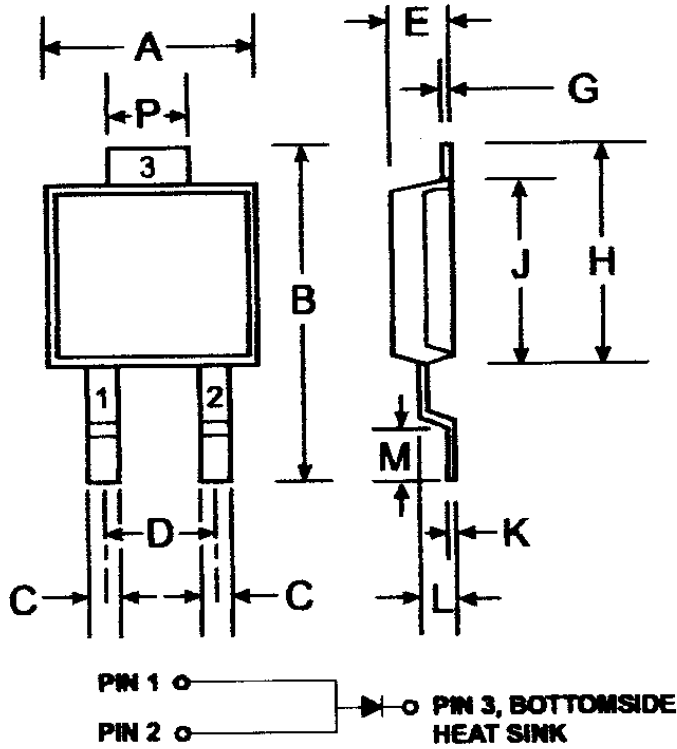


- Notes:
2.  $T_A = T_{\text{SOLDERING POINT}}$ ,  $R_{\theta JS} = 3.2^\circ \text{C/W}$ ,  $R_{\theta SA} = 0^\circ \text{C/W}$ .
  3. Device mounted on GETEK substrate, 2" x 2", 2 oz. copper, double-sided, cathode pad dimensions 0.75" x 1.0", anode pad dimensions 0.25" x 1.0".  $R_{\theta JA}$  in range of 20-40° C/W.
  4. Device mounted on FRA-4 substrate, 2" x 2", 2 oz. copper, single-sided, pad layout  $R_{\theta JA}$  in range of 65° C/W. See mounting pad below.
  5. Maximum power dissipation when the device is mounted in accordance to the conditions described in Note 3.

**PAD LAYOUT**  
inches [mm]



**16 mm TAPE****13 INCH REEL**

**PACKAGE & MOUNTING PAD DIMENSIONS**


**Note:** Pins 1 & 2 must be electrically connected at the printed circuit board.

POWERMITE®3		
Dim	Min	Max
A	4.03	4.09
B	6.40	6.61
C	.889 NOM	
D	1.83 NOM	
E	1.10	1.14
G	.178 NOM	
H	5.01	5.17
J	4.37	4.43
K	.178 NOM	
L	.71	.77
M	.36	.46
P	1.73	1.83
<b>All Dimensions in mm</b>		